



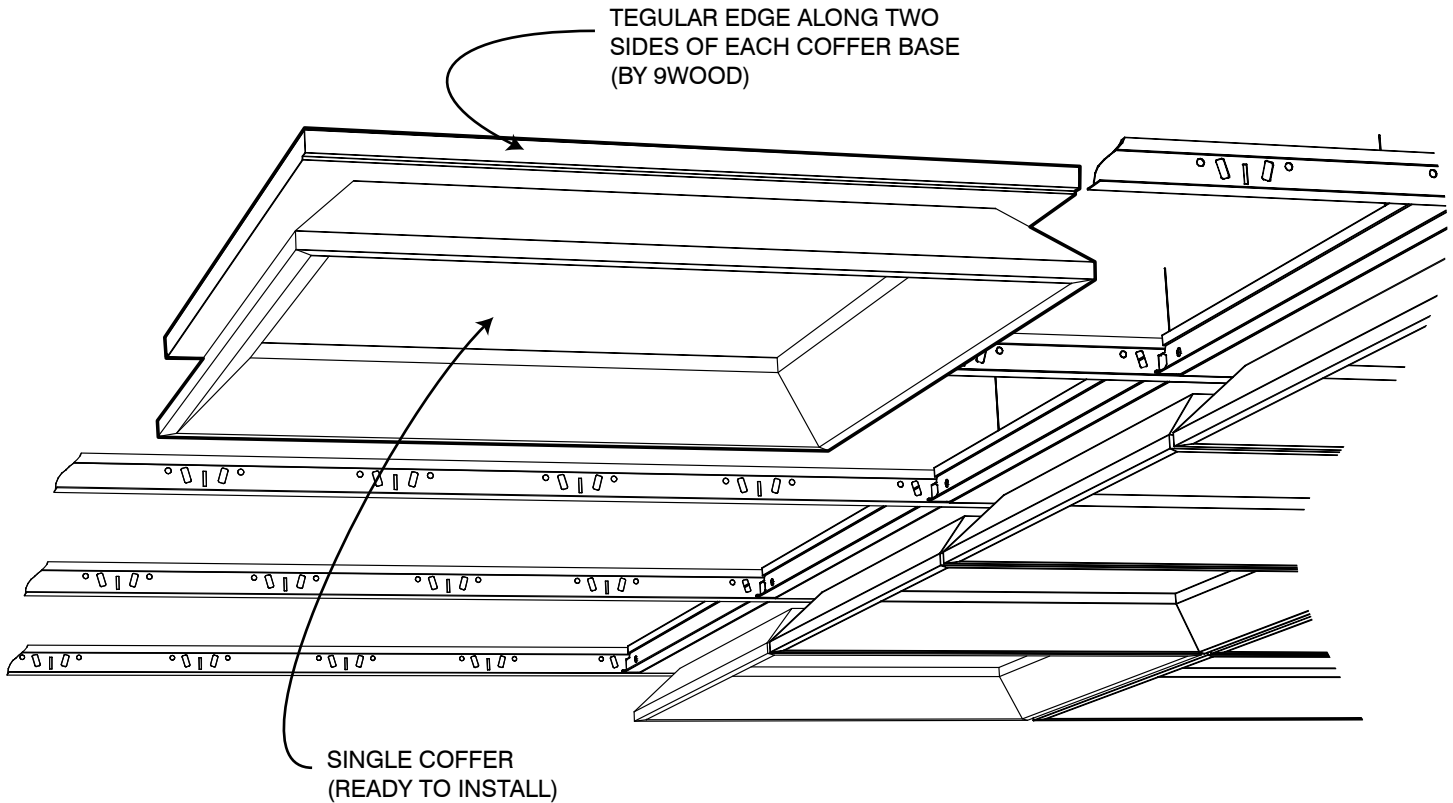
## 7200 Data Sheet



SERIES: 7000 WOOD COFFERS

STYLE: 7200 MODERN MOLDING

### Overview



The **7200 Modern Molding Coffers** style wood ceiling offers a coffer design typical of modern European woodwork. The coffer frame remains angular. The coffer lays into 15/16" standard T-Bar grid below the grid. Multiple veneer pattern options are available for the coffer interior panel.

**Attachment** for the 7200 Modern Molding Coffers is via tegular edges that lay into T-Bar grid.





## 7200 Data Sheet



SERIES: 7000 WOOD COFFERS

STYLE: 7200 MODERN MOLDING

# Product Data

## Application

The Modern Molding Coffers is used in spaces where a modern version of the traditional coffer appearance is desired. Picture frame assembly is used to fabricate and miter veneered molding which is attached to a veneered panel. A 3/16" reveal is required between panels. Access is by lift, shift and removal. In seismic zones, a safety-wire tie-off may be required.

## Performance

### Acclimatization

Modern Molding Coffers must be cared for in a controlled interior environment (RH 25%-55% max; temp. 60°-80°) and installed only after reaching equilibrium moisture content. Should the building fall outside these limits consult 9Wood for our 3 Tests/3 Tracks Acclimatization Advisory.

### Acoustics

The Modern Molding Coffers is considered acoustically reflective.

### Fire Rating

Individual members and components can be coated with Class I (A) Fire Retardant chemicals (veneered particleboard use FR formulas). Particular species or styles have not been tested.

### LEED

Modern Molding Coffers may qualify toward MR-3, MR-4.1/4.2, MR-5.1/5.2, MR-6, MR-7, IEQ-4.2 or IEQ-4.4. As all products are custom-fabricated, LEED credit opportunities are project by project. Please contact 9Wood for specifics.

### MEP

The Modern Molding Coffers permits MEP penetrations in the ceiling's surface. Cut coffers may require supplemental reinforcement. Fixtures and diffusers must be independently supported.

### Seismic

Wood Coffers may require a safety wire tie-off . Please consult local code or a licensed engineer for any additional requirements.

### Species & Finishes

9Wood can offer both domestic and imported species for the Modern Molding Coffers. Clear, matte sheen finish is standard; custom color matches and opaque finishes are available.

### Suspension

Modern Molding Coffers lay onto 15/16" heavy duty T-Bar main runners. Main runners are installed 2' on center.

### System Weight

Modern Molding Coffers typically weigh 4 pounds per square foot.



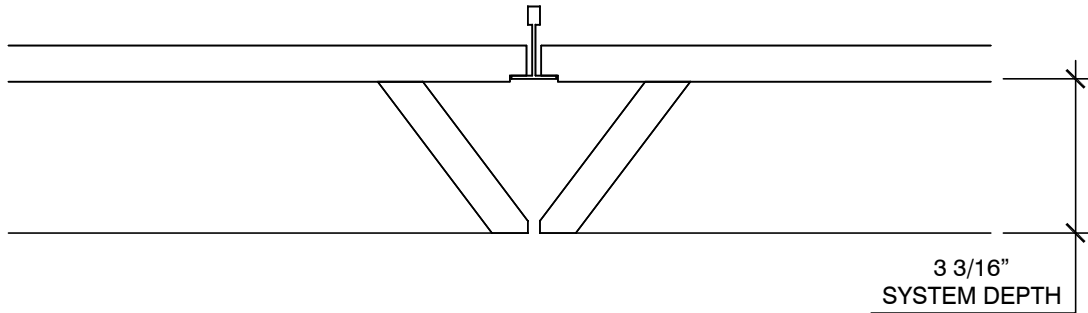
# 7200 Data Sheet



SERIES: 7000 WOOD COFFERS

STYLE: 7200 MODERN MOLDING

## Typical Specifications



### SKU Table

Coffer Length	Coffer Width		
	24"		
24"	7224-24		

*Additional width, depth, and M/LF options may be available. Please check with 9Wood if you don't see the combination that you have in mind.*



# 7200 Data Sheet



SERIES: 7000 WOOD COFFERS

STYLE: 7200 MODERN MOLDING

## Perimeter Conditions and Suspension

