



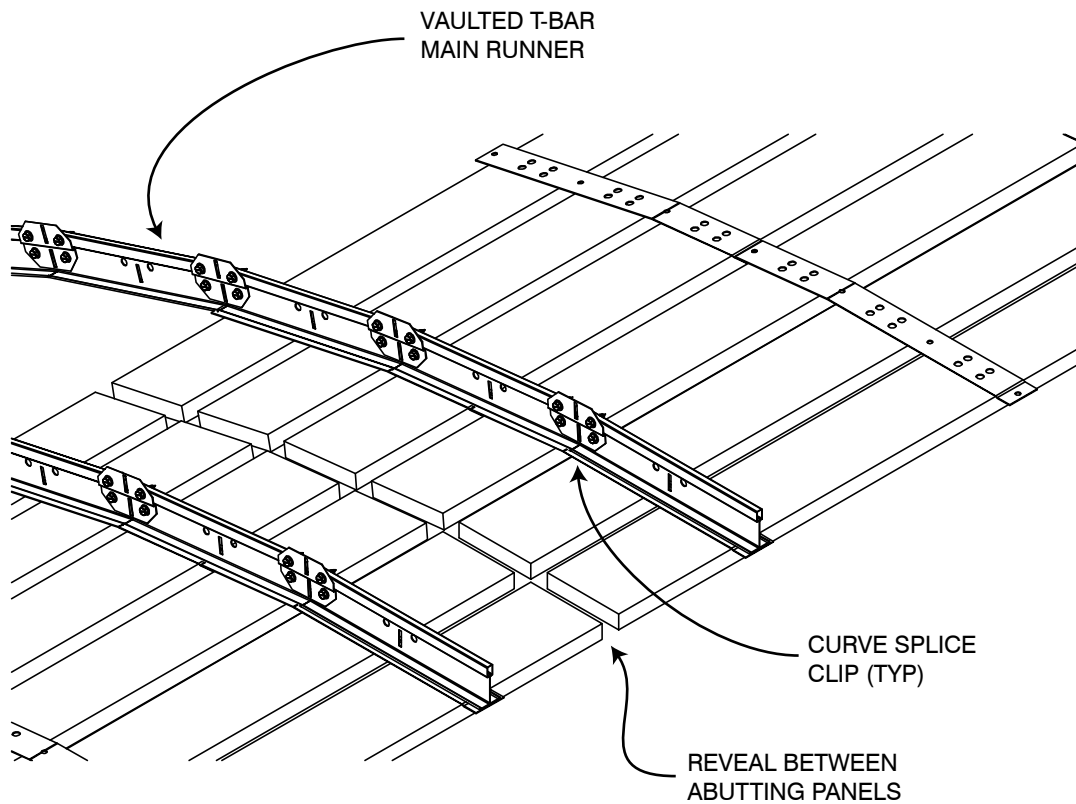
8200 Data Sheet



SERIES: 8000 WOOD WAVES

STYLE: 8200 LINEAR WAVE

Overview



The **8200 Linear Wave** wood ceiling offers a flexible wood linear design for a vaulted or undulating ceiling. The standard panel width is 12". Standard panel lengths are 4' through 10' for solid wood, or 8' for veneers. Budget and application generally drive the decision between solid wood and veneer.

Attachment for the Linear Wave is via screws fastened directly through the backer into curved T-Bar grid. This provides basic accessibility for each panel.



8200 Data Sheet



SERIES: 8000 WOOD WAVES

STYLE: 8200 LINEAR WAVE

Product Data

Application

The Linear Wave uses a pre-assembled flexible panel. A curved suspension system is first installed (curved T-Bar or radiused tubing). Then the panels are flexed and married to the radiused suspension system using screws. This product can be installed throughout all seismic zones and is the preferred design in areas requiring seismic compliance. Full panel access is available by means of removing attachment screws hidden in reveals. Repetitive removal requires threaded 9Wood T-Bolt™ attachment as opposed to screws. Progressive linear installation systems for random joint placement are also available.

Performance

Acclimatization

Linear Wood Waves must be cared for in a controlled interior environment (RH 25%-55% max; temp. 60°-80°) and installed only after reaching equilibrium moisture content. Should the building fall outside these limits consult 9Wood for our 3 Tests/3 Tracks Acclimatization Advisory.

Acoustics

The Linear Wood Wave can enhance acoustics via sound absorbing material placed over open reveals within the T-Bar grid. Insulation is typically provided locally.

Fire Rating

Individual members and components can be coated with Class I (A) Fire Retardant chemicals (solid wood use FR coatings, veneered particleboard use FR formulas). Particular species or styles have not been tested.

LEED

Linear Wood Waves may qualify toward MR-3, MR-4.1/4.2, MR-5.1/5.2, MR-6, MR-7, IEQ-4.2 or IEQ-4.4. As all products are custom-fabricated, LEED credit opportunities are project by project. Please contact 9Wood for specifics.

MEP

The Linear Wood Wave permits MEP penetrations in the ceiling's surface. Cut panels may require supplemental reinforcement. Fixtures and diffusers must be independently supported.

Seismic

Flexible Crosspiece Backers provide seismic code compliance by means of mechanical direct screw attachment to T-Bar via the flexible cross-piece backer. Please consult local code or a licensed engineer for any additional requirements.

Species & Finishes

9Wood can offer both domestic and imported species for the Linear Wood Wave. Clear, matte sheen finish is standard; custom color matches and opaque finishes are available.

Suspension

Linear Wood Waves are directly attached to curved 15/16" T-Bar main runners or radiused 1" x 1" tubing. T-Bar or tubing is installed 2' on center, depending on system weight.

System Weight

Linear Wood Waves typically weigh 2-4 pounds per square foot, depending on members per linear foot and species.



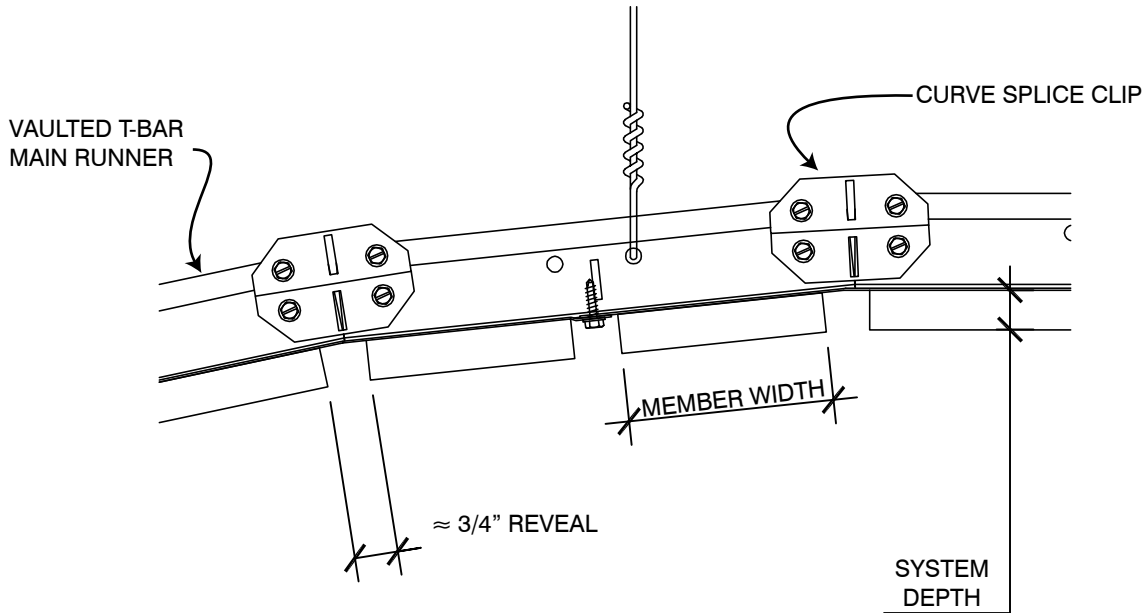
8200 Data Sheet



SERIES: 8000 WOOD WAVES

STYLE: 8200 LINEAR WAVE

Typical Specifications



SKU Table

Depth (Softwood)	Depth (Hardwood or Veneer)	Width	Members per Linear Foot				
			2	3	4	5	6
5/8"	3/4"	1 3/8"	82-2112-2	82-2112-3	82-2112-4	82-2112-5	82-2112-6
5/8"	3/4"	2 1/4"	82-2113-2	82-2113-3	82-2113-4		
5/8"	3/4"	3 1/4"	82-2114-2	82-2114-3			
5/8"	3/4"	5 1/4"	82-2116-2				

Additional width, depth, and M/LF options may be available. Please check with 9Wood if you don't see the combination that you have in mind.



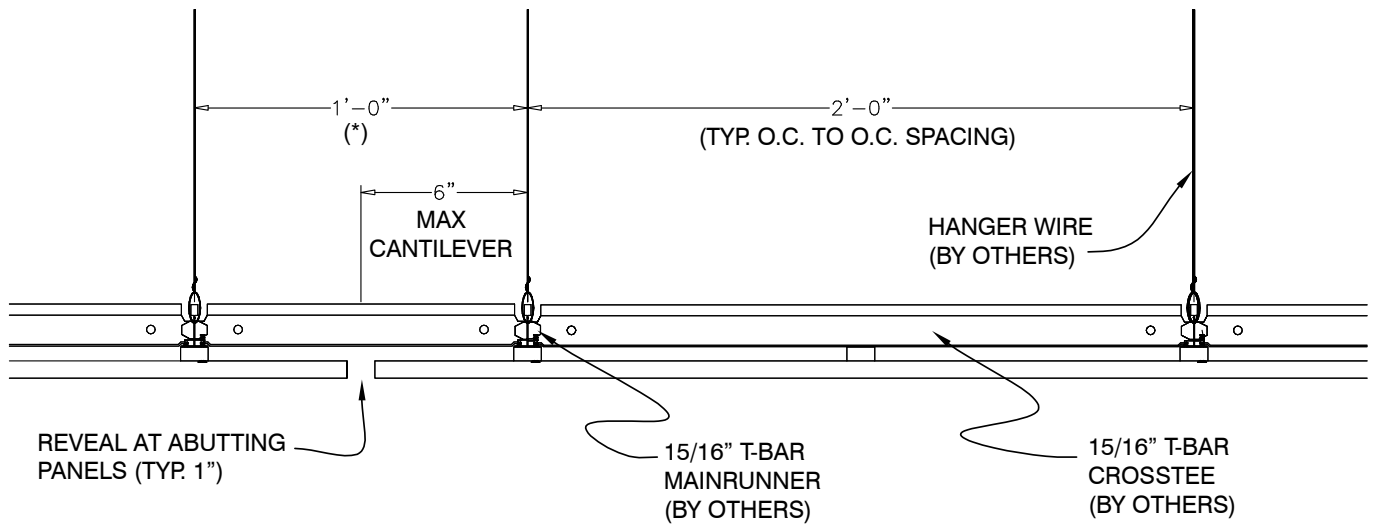
8200 Data Sheet



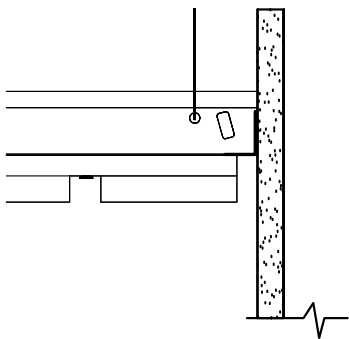
SERIES: 8000 WOOD WAVES

STYLE: 8200 LINEAR WAVE

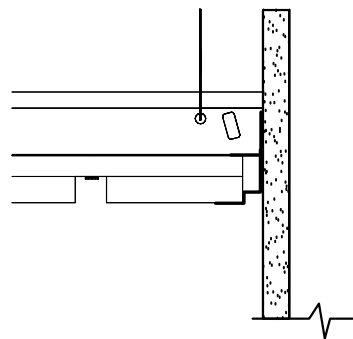
Perimeter Conditions and Suspension



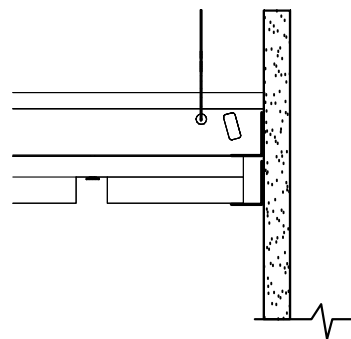
(*) NOTE: A CENTER REVEAL TYPICALLY REQUIRES A CUSTOM O.C. SPACING IN THE SUSPENSION SYSTEM



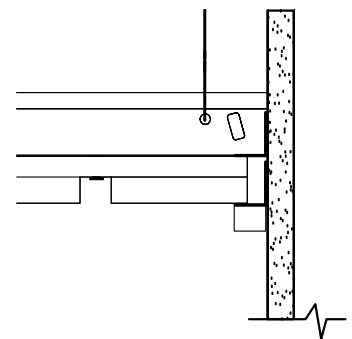
FLOATING:
OPEN REVEAL



METAL TRIM:
CONT. SHADOW STYLE
WALL ANGLE



METAL TRIM:
CONT. WALL ANGLE



WOOD TRIM:
CONT. WALL ANGLE
W/ WOOD TRIM