



# Equipment Guide

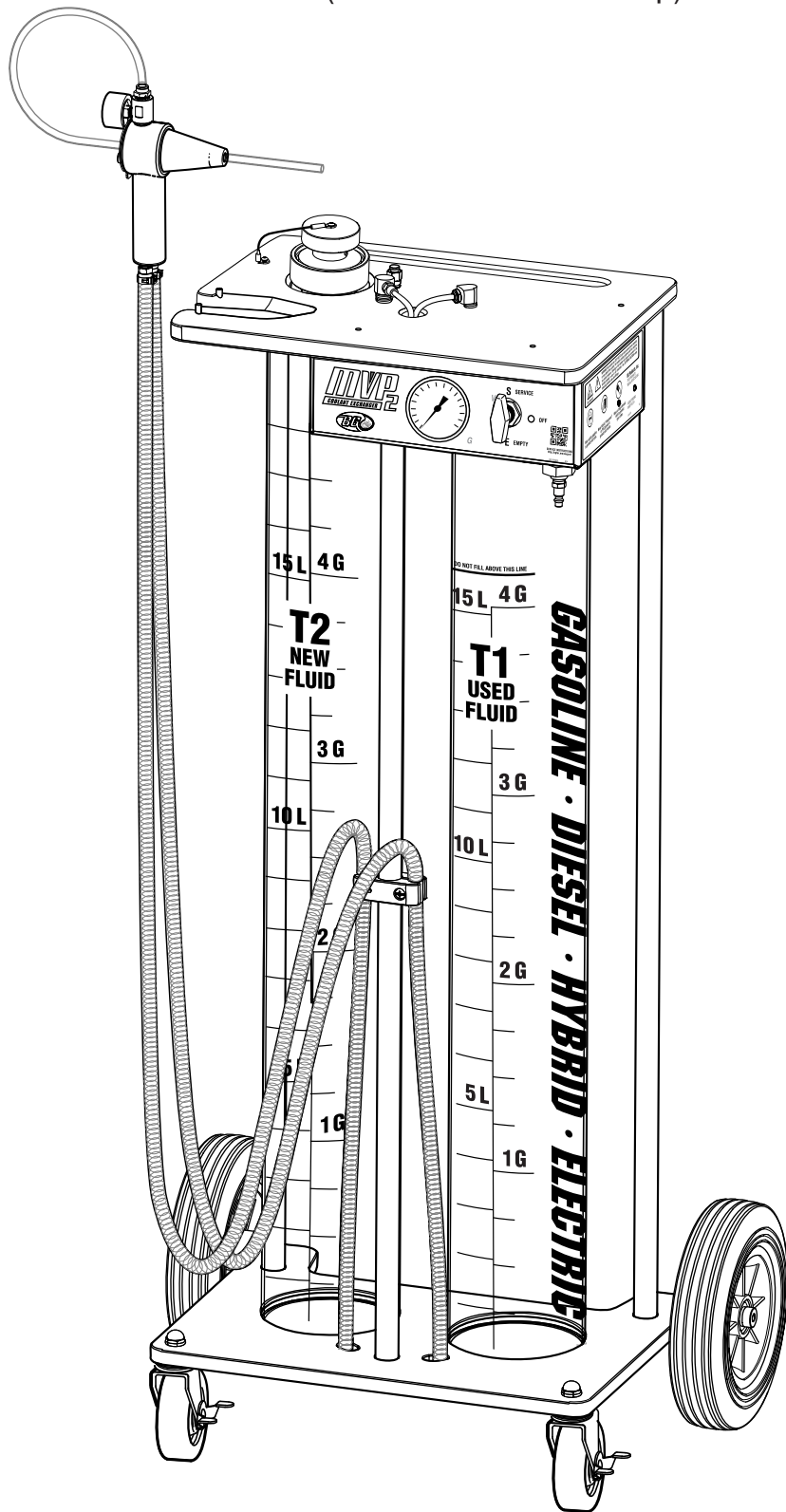
For

MVP2 Coolant Exchanger, PN E101-2378 (SN 687-2-01391 and up)  
MVP 2-Tube Coolant Exchanger, PN E101-2378 (687-1 series and earlier)



# MVP2 Coolant Exchanger

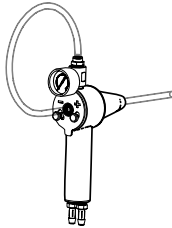
PN E101-2378 (SN 687-2-01391 and up)



# MVP2 Coolant Exchanger

PN E101-2378 (SN 687-2-01391 and up)

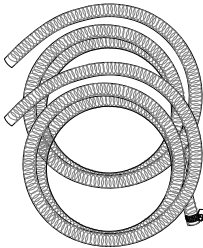
## REPLACEMENT PARTS



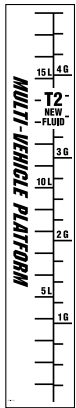
**E101-2388**  
MVP dispenser head



**E101-2643**  
Oetiker clamp,  
14.5mm to 17mm



**E100-3332**  
96 inches 3/8"  
clear vinyl spring hose



**SCLB-EN10**  
Graduated label  
for MVP2 T2



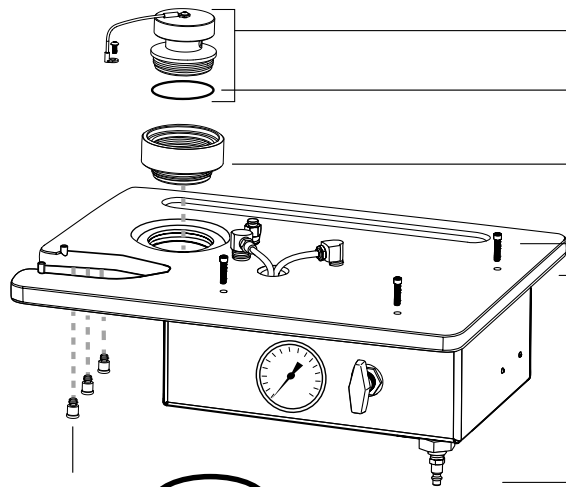
**SCLB-EN09**  
Graduated label  
for MVP2 T1



**SCLB-EN11**  
Safety label for MVP2 machine



**SCLB-EN24**  
Label for MVP2  
gauge panel-valve



**E101-2456**  
-32 fill cap assembly

**E101-2404**  
O-ring, Buna, -932  
(2.337 ID x .118)

**E101-3736**  
2 inch fill cap  
strainer adaptor

**E101-3460**  
Screw, SHCS,  
1/4 - 20 x 1

**E101-2459**  
Coolant gauge  
panel assembly

**E101-3461**  
MVP cone peg



**E101-2364**  
O-ring, Buna, -361  
(5.975 ID x 0.210)

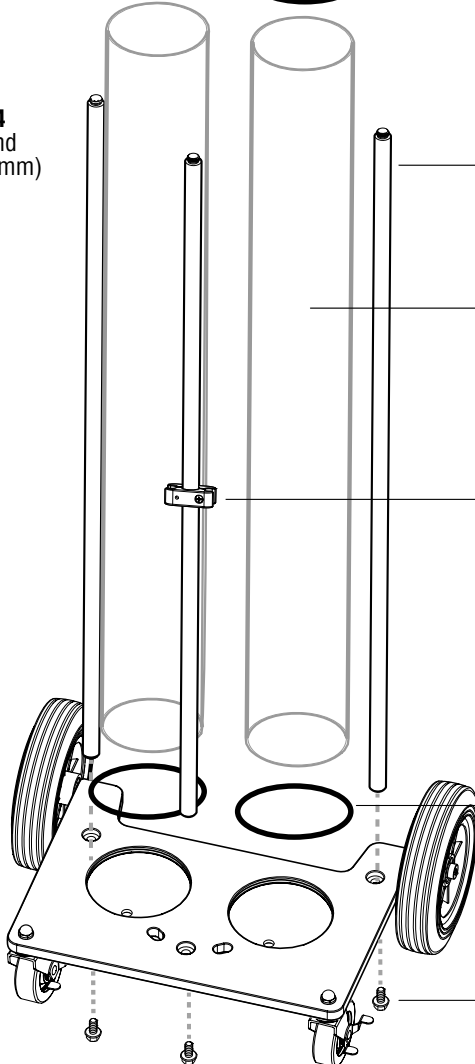
**E100-4554**  
1 1/16" band  
clamp (17mm)

**E101-2382**  
coolant support bar

**E101-2318**  
5.75 ID x 47.5  
fiberglass tube

**E101-2417**  
Double 3/8" hose  
clamp x 1" rod mount

**E101-2685**  
1/4 - 20 x pan  
head screw



**E101-2364**  
O-ring, Buna, -361  
(5.975 ID x 0.210)

**E101-2461**  
2-tube coolant  
bottom assembly

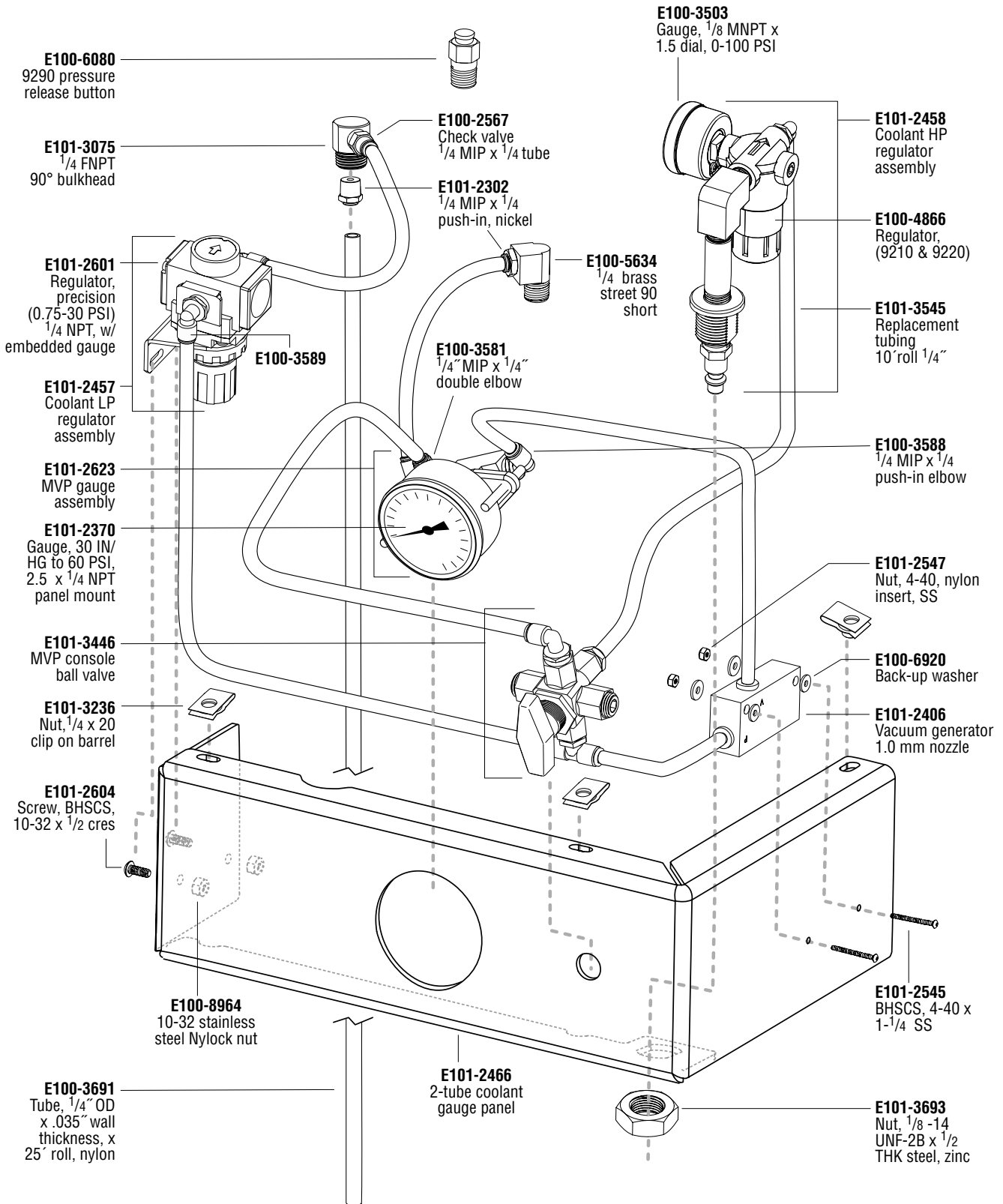
**E101-2590**  
1/2 - 13 x 1"  
flanged hex bolt



# MVP2 Coolant Gauge Panel Assembly

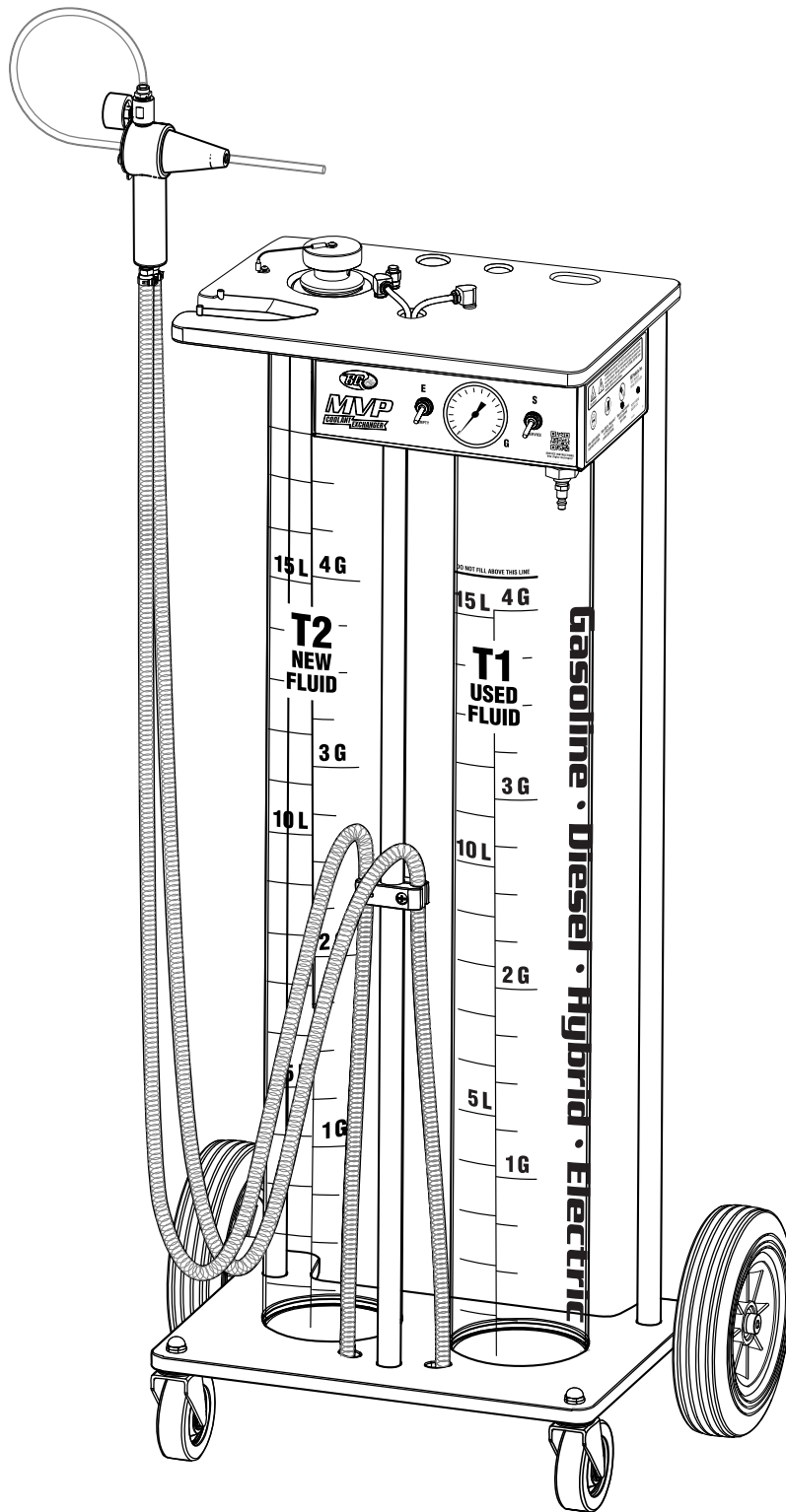
PN E101-2459 (SN 687-2-01391 and up)

## PLUMBING



# MVP 2-Tube Coolant Exchanger

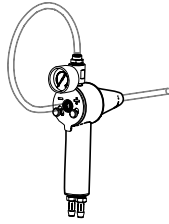
PN E101-2378 (687-1 series and earlier)



# MVP 2-Tube Coolant Exchanger

PN E101-2378 (687-1 series and earlier)

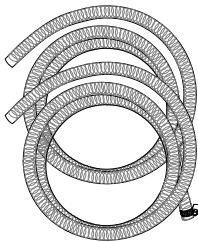
## REPLACEMENT PARTS



**E101-2388**  
MVP dispenser head

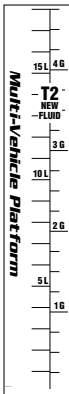


**E101-2643**  
Oetiker clamp,  
14.5mm to 17mm

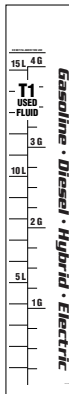


**E100-3332**  
96 inches 3/8"  
clear vinyl spring hose

**E100-4554**  
1 1/16" band  
clamp (17mm)



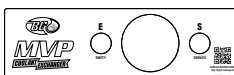
**SCLB-EN10**  
Graduated label  
for MVP T2



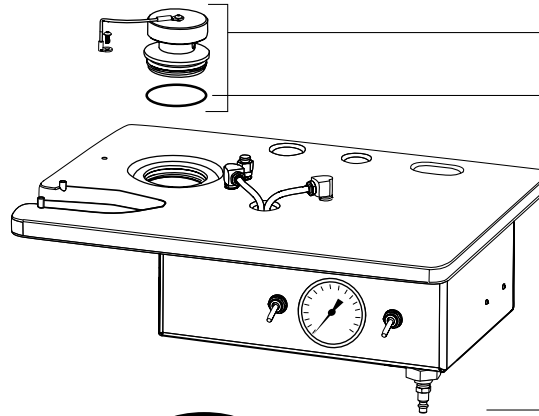
**SCLB-EN09**  
Graduated label  
for MVP T1



**SCLB-EN11**  
Safety label for MVP machine



**SCLB-EN08**  
Label for MVP  
gauge panel-switches



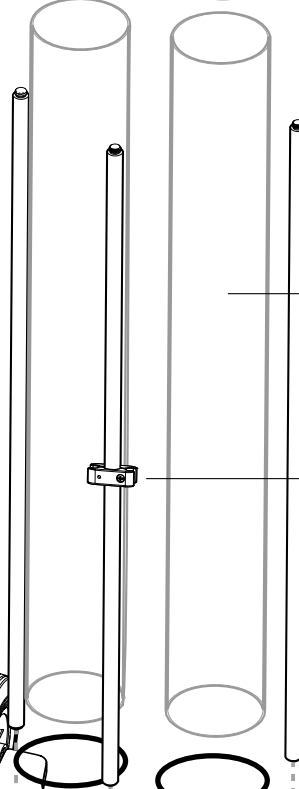
**E101-2456**  
-32 fill cap assembly

**E101-2404**  
O-ring, Buna,-932  
(2.337 ID x .118)

**E101-2459**  
Coolant gauge  
panel assembly



**E101-2364**  
O-ring,Buna, -361  
(5.975 ID x 0.210)

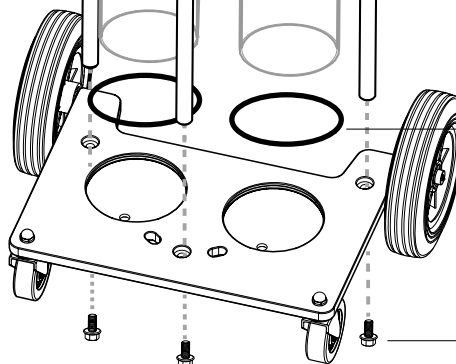


**E101-2382**  
coolant support bar

**E101-2318**  
5.75 ID x 47.5  
fiberglass tube

**E101-2417**  
Double 3/8" hose  
clamp x 1" rod mount

**E101-2685**  
1/4 - 20 x pan  
head screw



**E101-2364**  
O-ring,Buna, -361  
(5.975 ID x 0.210)

**E101-2461**  
2-tube coolant  
bottom assembly

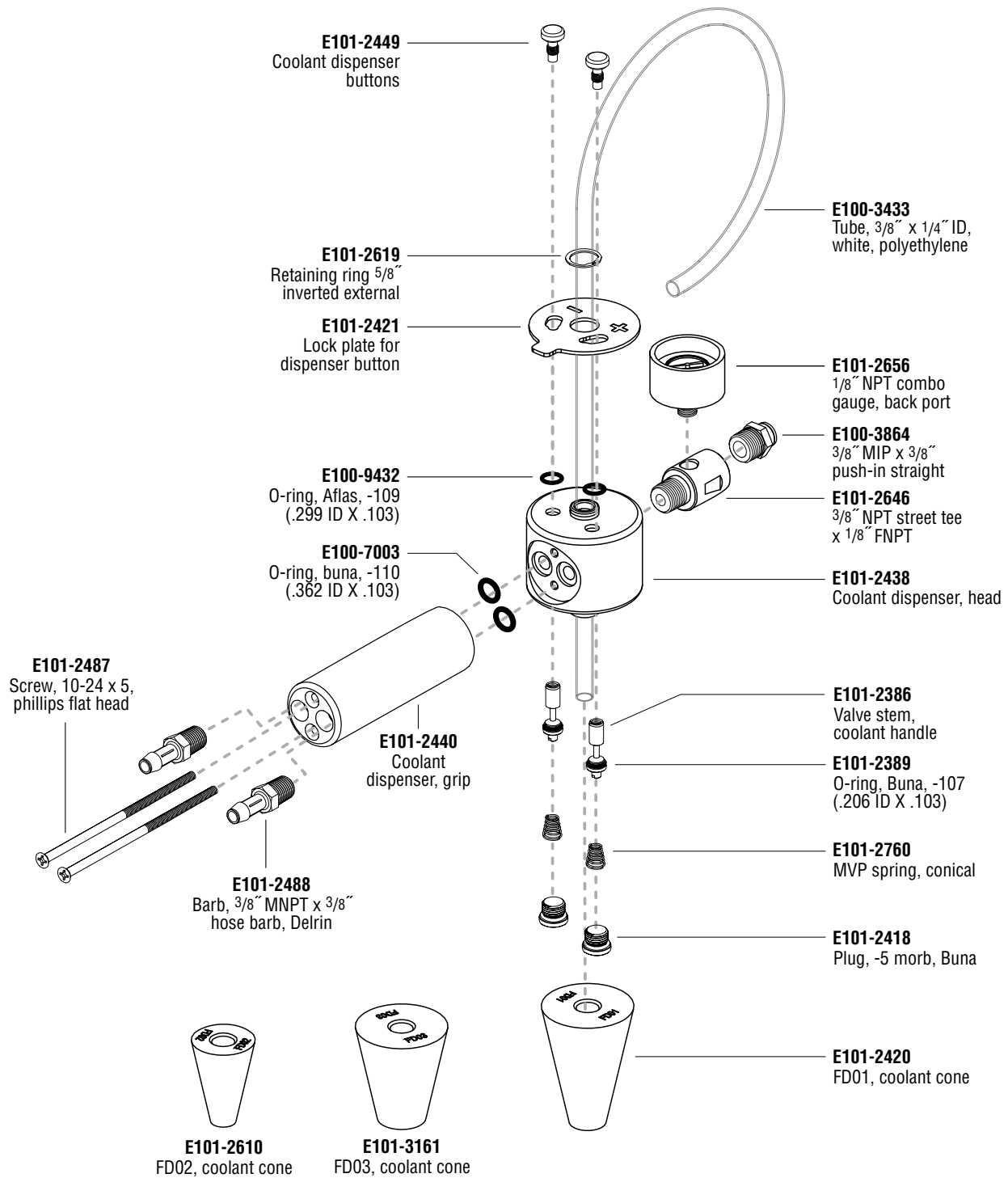
**E101-2590**  
1/2-13 x 1"  
flanged hex bolt



# MVP Dispenser Head

PN E101-2388

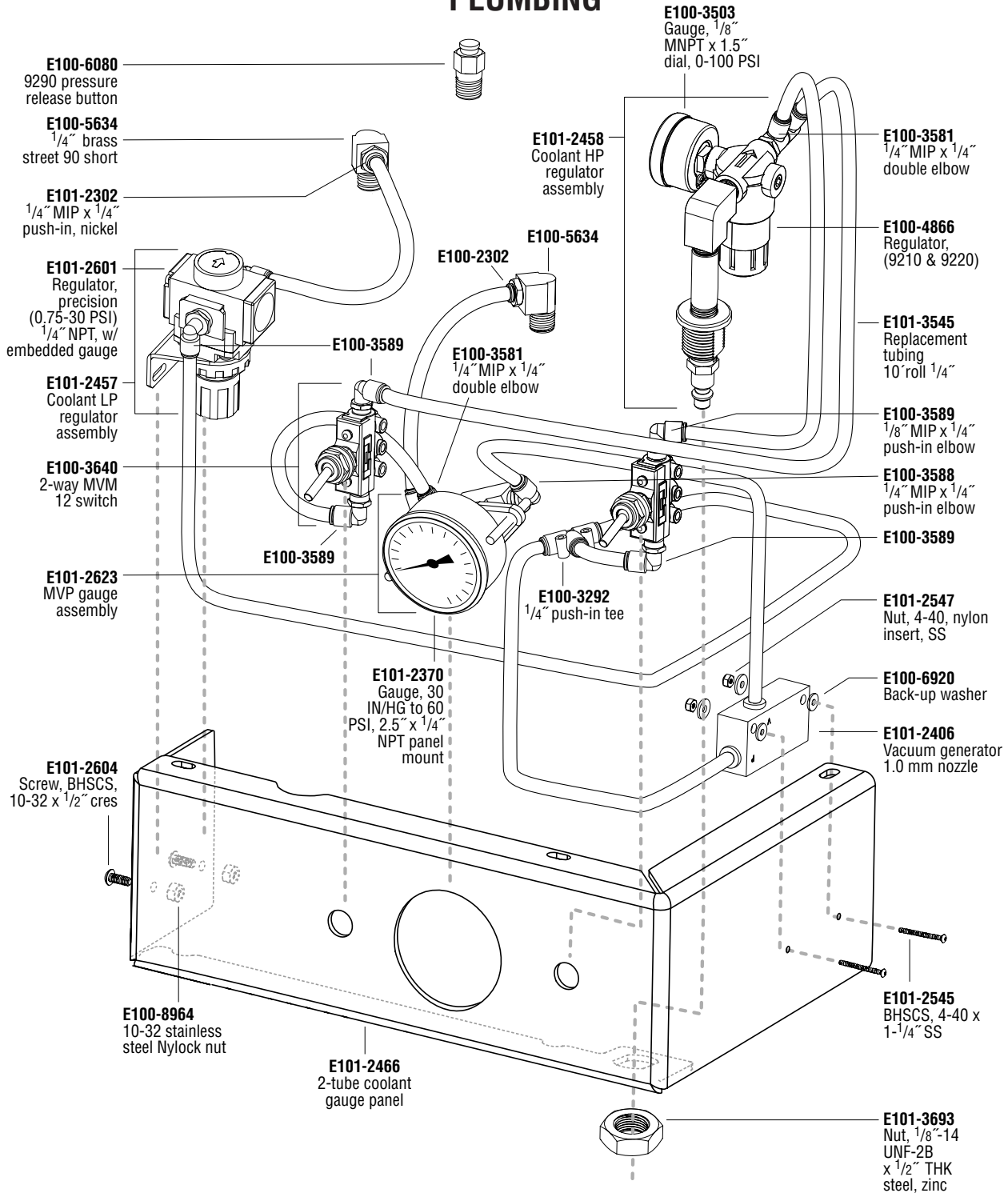
## REPLACEMENT PARTS



# MVP 2-Tube Coolant Gauge Panel Assembly

(687-1 series and earlier)

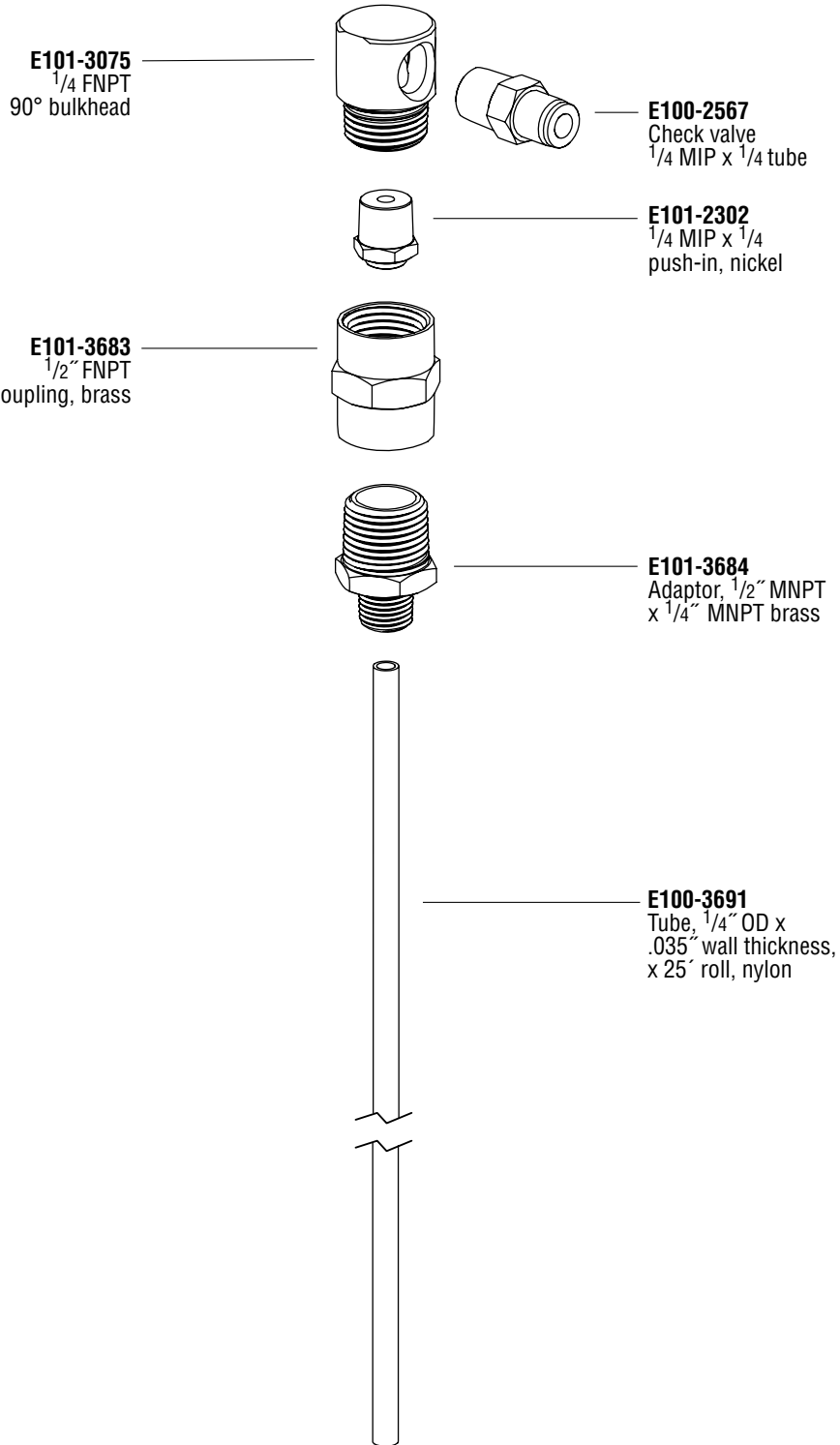
## PLUMBING





# MVP Bubbler Retrofit Set

PN E101-3685 (687-1 series and earlier)



# MVP2 Coolant Exchanger

PN E101-2378

## INSTRUCTIONS



Scan this code or visit  
**<http://bgfor.me/mvpref>**  
to access service instructions.  
This code can also be found  
on the serial plate.

