



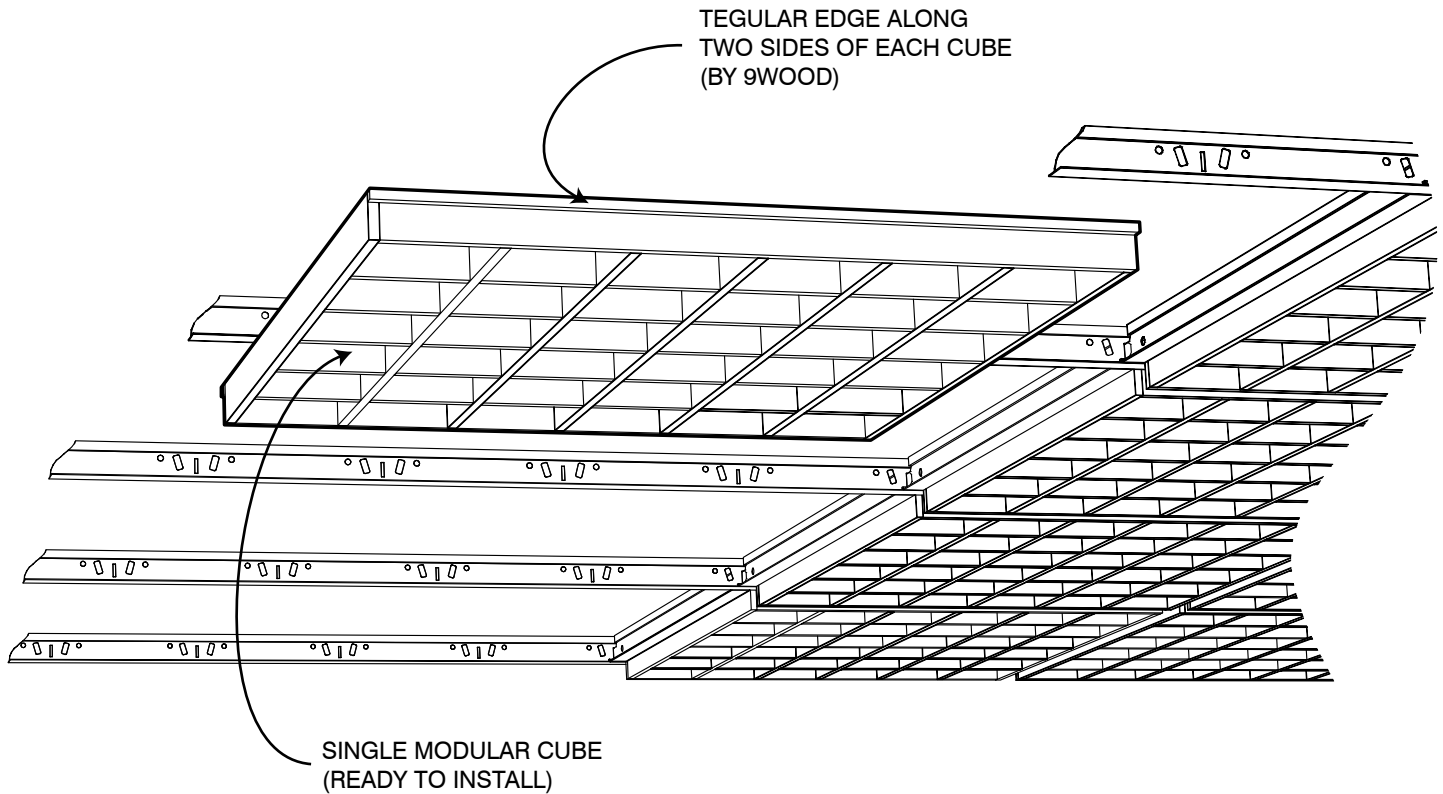
6100 Data Sheet



SERIES: 6000 WOOD CUBES

STYLE: 6100 MODULAR CUBE

Overview



The **6100 Modular Cube** offers a cell wood ceiling look in a modular or tiled appearance. The 6100 Modular Cube style hangs from and is accented by either 15/16" T-Bar grid or 9/16" T-Bar grid. Members are typically solid wood, but veneers are used in some applications.

Attachment for the Modular Cube is via a wooden tegular edge and tegular clips.





6100 Data Sheet



SERIES: 6000 WOOD CUBES

STYLE: 6100 MODULAR CUBE

Product Data

Application

The Modular Cube is used in ceilings where a large percent opening is desired. The vertical member orientation creates a cut-off angle, which highlights the beauty of wood while hiding the plenum. Access is achieved by lift, shift and removal. In seismic areas, safety tie-off wires may be required.

Performance

Acclimatization

Modular Cubes must be cared for in a controlled interior environment (RH 25%-55% max; temp. 60°-80°) and installed only after reaching equilibrium moisture content. Should the building fall outside these limits consult 9Wood for our 3 Tests/3 Tracks Acclimatization Advisory.

Acoustics

The Modular Cube can enhance acoustics via sound absorbing material placed over open reveals within the T-Bar grid. Insulation is typically provided locally.

Fire Rating

Individual members and components can be coated with Class I (A) Fire Retardant chemicals (solid wood use FR coatings, veneered particleboard use FR formulas). Particular species or styles have not been tested.

LEED

Modular Cubes may qualify toward MR-3, MR-4.1/4.2, MR-5.1/5.2, MR-6, MR-7, IEQ-4.2 or IEQ-4.4. As all products are custom-fabricated, LEED credit opportunities are project by project. Please contact 9Wood for specifics.

MEP

The Modular Cube permits MEP penetrations in the ceiling's surface. Cut panels may require supplemental reinforcement. Fixtures and diffusers must be independently supported.

Seismic

Modular Cubes typically require safety-wire tie-offs or a lock-down screw. Please consult local code or a licensed engineer for any additional requirements.

Species & Finishes

9Wood can offer both domestic and imported species for the Modular Cube. Clear, matte sheen finish is standard; custom color matches and opaque finishes are available.

Suspension

Modular Cubes are suspended from 15/16" or 9/16" heavy duty T-Bar main runners. Main runners are installed 2' on center, depending on system weight.

System Weight

Modular Cubes typically weigh 2-4 pounds per square foot, depending on members per linear foot and species.



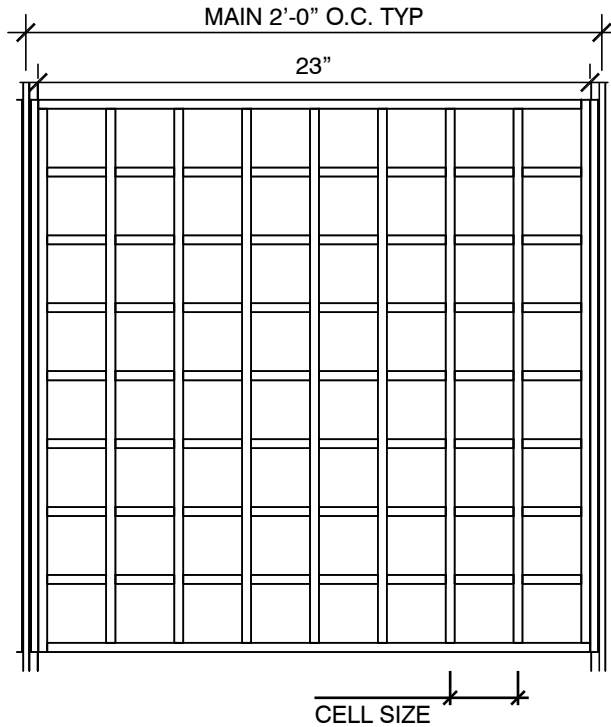
6100 Data Sheet



SERIES: 6000 WOOD CUBES

STYLE: 6100 MODULAR CUBE

Typical Specifications



SKU Table

Cube Depth	Cell Size (length and width)		
	3"	4"	6"
1 3/8"	6112-3	6112-4	6112-6
2 1/4"	6113-3	6113-4	6113-6
3 1/4"	6114-3	6114-4	6114-6

Additional width, depth, and M/LF options may be available. Please check with 9Wood if you don't see the combination that you have in mind.



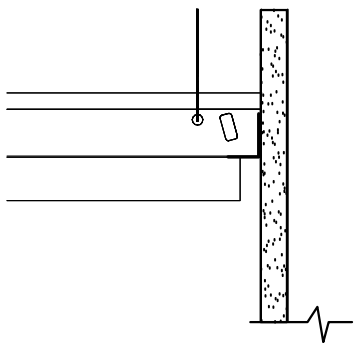
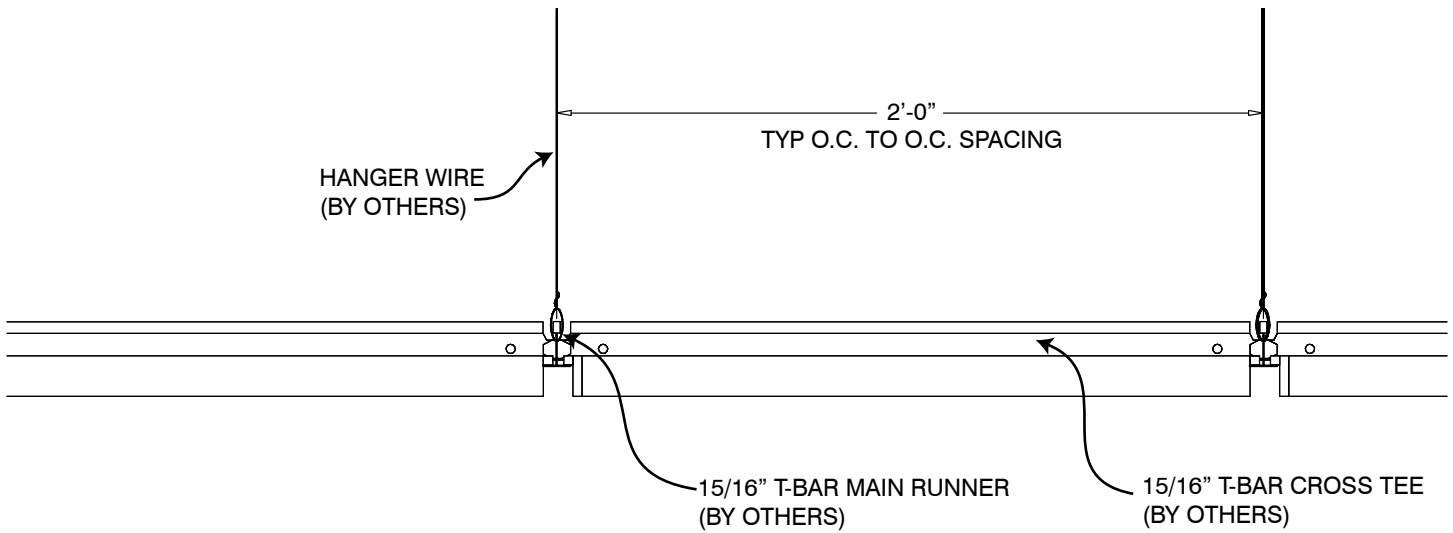
6100 Data Sheet



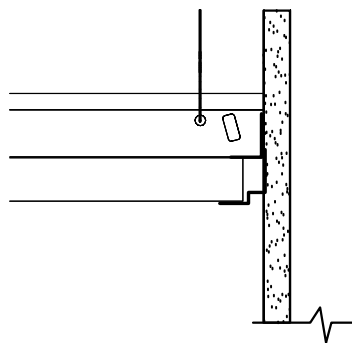
SERIES: 6000 WOOD CUBES

STYLE: 6100 MODULAR CUBE

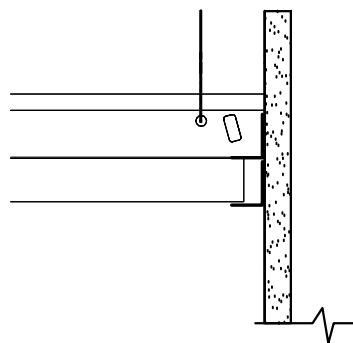
Perimeter Conditions and Suspension



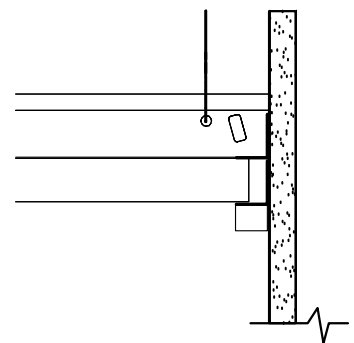
OPEN REVEAL



METAL TRIM:
CONT. SHADOW STYLE
WALL ANGLE



CONT. WALL ANGLE



CONT. WALL ANGLE
W/WOOD TRIM