



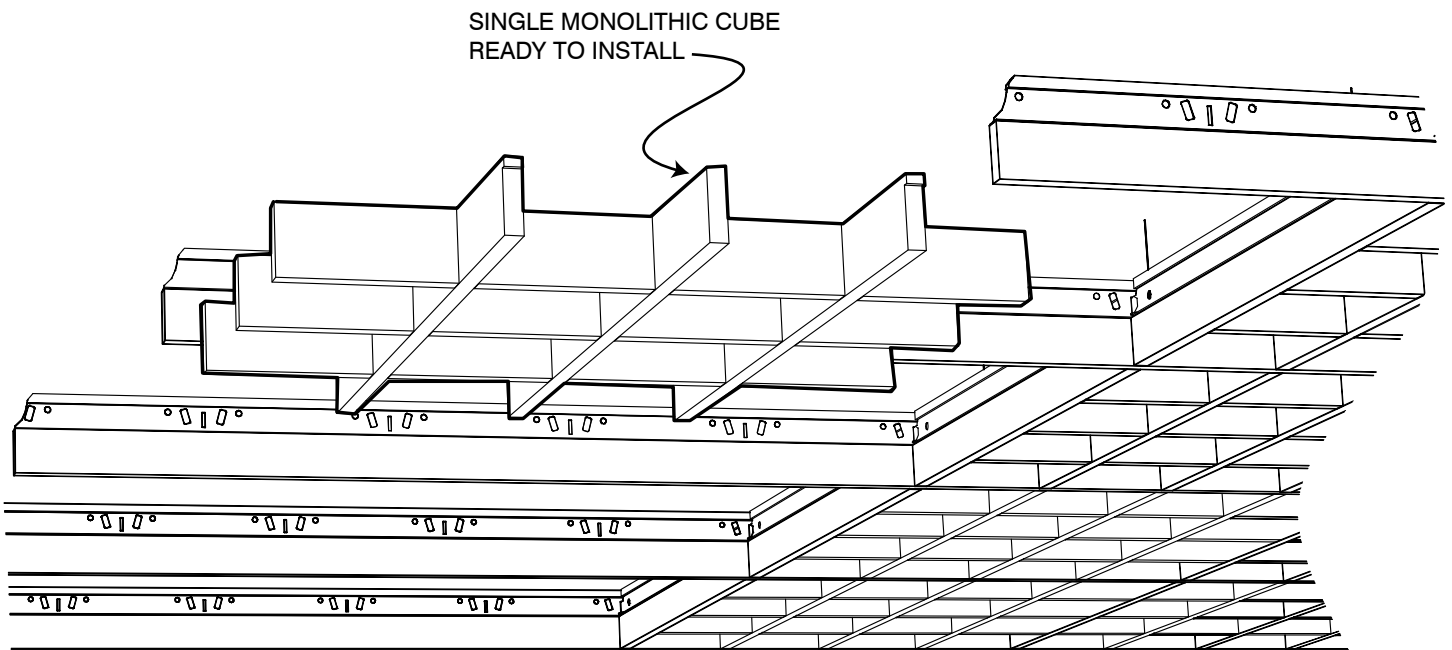
6500 Data Sheet



SERIES: 6000 WOOD CUBES

STYLE: 6500 MONOLITHIC CUBE T-BAR

Overview



The **6500 Monolithic Cube T-Bar Grid** style wood ceiling offers the classic cell wood ceiling in a monolithic continuous ceiling field. The Monolithic Cube T-Bar Grid style is suspended from 9/16" T-Bar with flush trim pieces factory attached. When the cube infill panel is installed, all members are flush A.F.F., creating a monolithic appearance. Members are typically solid wood, but veneers are used in some cases.

Attachment for the Monolithic Cube is via tegular edges on select member ends.



6500 Data Sheet



SERIES: 6000 WOOD CUBES

STYLE: 6500 MONOLITHIC CUBE T-BAR

Product Data

Application

The Monolithic Cube T-Bar Grid is used in ceilings where a large percent opening is desired. The vertical member orientation creates a cut-off angle, which highlights the beauty of wood while hiding the plenum. Access is achieved by lift, shift and removal. In seismic areas, safety tie-off wires may be required.

Performance

Acclimatization

Monolithic Cubes must be cared for in a controlled interior environment (RH 25%-55% max; temp. 60°-80°) and installed only after reaching equilibrium moisture content. Should the building fall outside these limits consult 9Wood for our 3 Tests/3 Tracks Acclimatization Advisory.

Acoustics

The Monolithic Cube - T-Bar Grid can enhance acoustics via sound absorbing material placed over open reveals within the T-Bar grid. Insulation is typically provided locally.

Fire Rating

Individual members and components can be coated with Class I (A) Fire Retardant chemicals (solid wood use FR coatings, veneered particleboard use FR formulas). Particular species or styles have not been tested.

LEED

Monolithic Cubes may qualify toward MR-3, MR-4.1/4.2, MR-5.1/5.2, MR-6, MR-7, IEQ-4.2 or IEQ-4.4. As all products are custom-fabricated, LEED credit opportunities are project by project. Please contact 9Wood for specifics.

MEP

The Monolithic Cube - T-Bar Grid permits MEP penetrations in the ceiling's surface. Cut panels may require supplemental reinforcement. Fixtures and diffusers must be independently supported.

Seismic

Monolithic Cubes typically require safety-wire tie-offs or a lock-down screw. Please consult local code or a licensed engineer for any additional requirements.

Species & Finishes

9Wood can offer both domestic and imported species for the Monolithic Cube. Clear, matte sheen finish is standard; custom color matches and opaque finishes are available.

Suspension

Monolithic Cubes with T-Bar grid are suspended from 9/16" T-Bar main runners. Main runners are installed 2' on center with flush trim pieces attached to the mains and cross pieces (as required).

System Weight

Monolithic Cubes typically weigh 2-4 pounds per square foot, depending on members per linear foot and species.



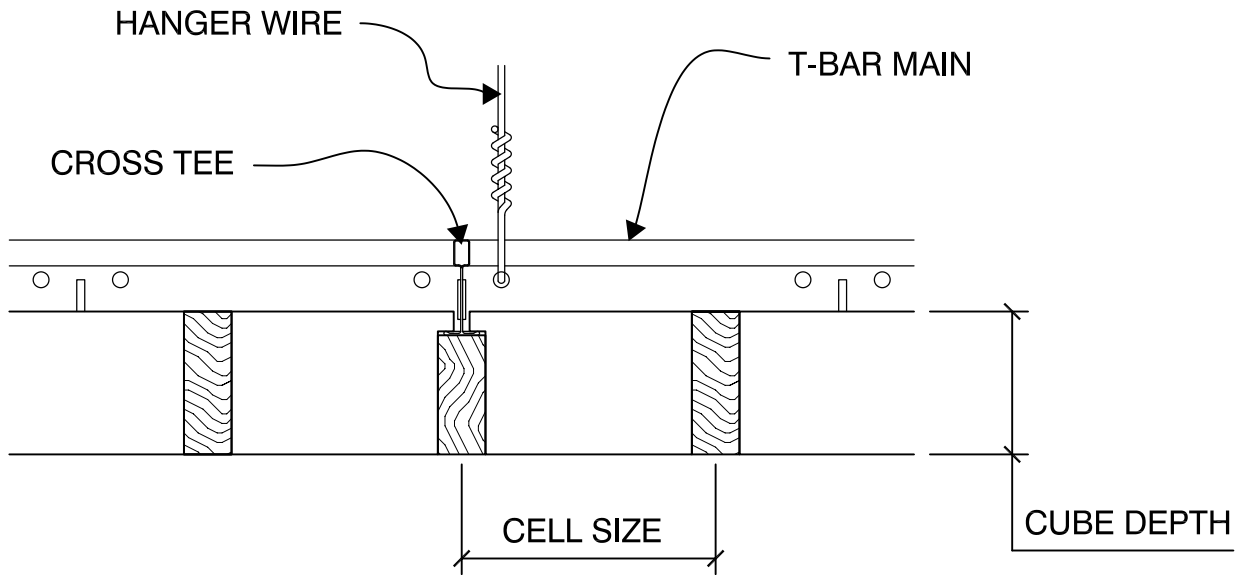
6500 Data Sheet



SERIES: 6000 WOOD CUBES

STYLE: 6500 MONOLITHIC CUBE T-BAR

Typical Specifications



SKU Table

Cube Depth	Cell Size (O.C. Spacing)		
	3"	4"	6"
1 3/8"	6512-3	6512-4	6512-6
2 1/4"	6513-3	6513-4	6513-6
3 1/4"	6514-3	6514-4	6514-6

Additional width, depth, and M/LF options may be available. Please check with 9Wood if you don't see the combination that you have in mind.